

The Next Generation Of Long Range Camera Technology by Aventura™

The 2-megapixel 44x IR Network PTZ Camera features next generation long-range optics with a 5mm~220mm lenses. The camera supports onboard video analytics with fog and smoke mitigation using intelligent filtering. The super low lux and adaptive IR provide precise images beyond 300M in total darkness.



System Performance

- + Enhanced heat dissipation system
- + Intelligent temperature control technology
- + 6 KV surge protection for network interface
- + ONVIF Conformance
- + H.265, H.264, MJPEG
- + Embedded smart algorithm
- + 1080P@60fps supported
- + Triple Stream 60 fps

Key Features

- + 44X Optical Zoom
- + 5mm~220mm
- + 300M Smart Infrared
- + Color 0.001 Super Low Lux
- + 120 dB Optical WDR (Wide Dynamic Range)
- + Onboard Analytics
- + Image Stabilization
- + Black Glass Technology



Made in the U.S.A

Aventura™

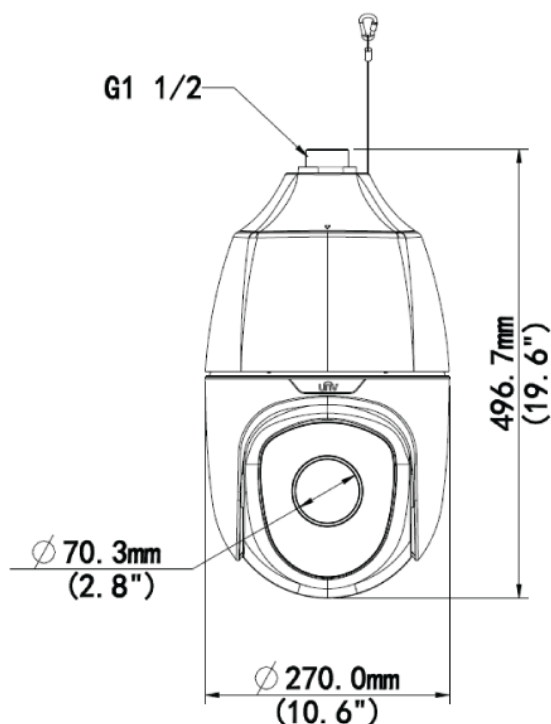
Aventura Technologies, Inc.
48 Mall Drive
Commack, New York 11725 USA
Phone: 631-300-4000
Fax: 631-434-7000

2MP 44X IR Network PTZ Dome Camera CAM-IPM-2Z-44X-IR

SPECIFICATIONS

System	
Maximum Resolution	1920 × 1080
Video Compression	H.265, H.264, MJPEG
Frame Rate	1080P (1920×1080) Max.60 fps
Video Streaming	Triple
OSD	Up to 8
Privacy Mask	Up to 4 regions
Digital Zoom	Yes
HLC	Yes
EIS	Yes
Behavior Detection	Intrusion / line crossing / motion detection
Exception Detection	Audio detection
Intelligent Identification	Face detection
Statistical Analysis	People counting
Audio Compression	G.711
Two-way audio	Supported
Edge Storage	Micro SD up to 128GB
Protocols	L2TP, IPv4, IGMP, ICMP, ARP, TCP, UDP, DHCP, PPPoE, RTP, RTSP, RTCP, DNS, DDNS, NTP, FTP, UPnP, HTTP, HTTPS, SMTP, SIP, 802.1x
Compatible Integration	ONVIF / API
Pan Range	360° (continuous)
Pan Speed	0.1°/s ~ 240°/s Preset speed: 300°/s
Tilt Range	-15° ~ +90° (auto reverse)
Tilt Speed	0.1° ~ 160°/s Preset speed: 300°/s
Number of Preset	256
Patrol	Preset patrol, route patrol, recorded patrol
Audio I/O	Audio cable 1 Input: impedance 35 kΩ; amplitude 2 V [p-p] 1 Output: impedance 600 Ω; amplitude 2 V [p-p]
Alarm I/O	2/1
Serial Port	1 RS485
Network	1 RJ45 10M/100M Base-TX Ethernet
Power	24 V±25% AC (Default), 24 V±25% DC Power consumption: 16 ~ 56W
Dimensions (Ø x H)	Ø270mm×496.7mm (Ø10.6" x 19.6")
Weight	9.69 kg (21.4lb)
Heat	Built-in Heater and Temperature control system
Working Environment	-45°~70°(-49°F ~ 158°F) Humidity ≤ 95% RH(non-condensing)
Ingress Protection	IP67

Camera	
Sensor	1/2.8"; 2 megapixel, progressive scan, CMOS
Lens	5 ~ 220 mm (44x optical zoom)
Angle of View (H)	56.7° (wide) ~ 3.07° (tele)
Iris	Auto/Manual; F1.2 ~ F3.5
Shutter	Auto/Manual; shutter time: 1/6 s ~ 1/8000 s
Minimum Illumination	Color: 0.001 lux (F1.2, 50IRE) 0 lux with IR
S/N	>52dB
WDR	120dB
Defog	Optical Defog & Digital Defog
Color	0.001 Super Low Lux
Viewing Angle	5mm~220mm Super WDR
IR	300M Smart Infrared



Made in the U.S.A



Aventura™

Aventura Technologies, Inc.
48 Mall Drive
Commack, New York 11725 USA
Phone: 631-300-4000
Fax: 631-434-7000